

CARLISLE WALL HUNG BASIN

Cat. No
4-9011



Faucet Not Included



Mounting hardware

W: 24-1/2"
D: 19"
H: 5-3/4"

Interior Dimensions:

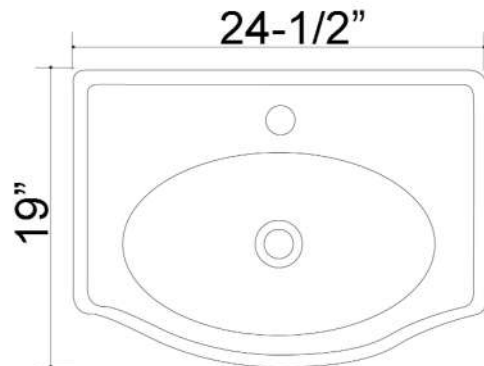
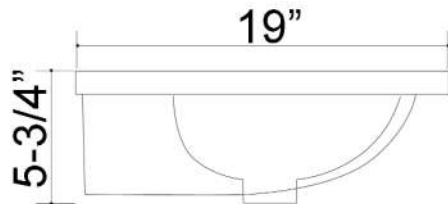
Basin Interior: 17-5/8" x 12-1/8"
Basin Depth: 4-3/4"
Back of basin to center of faucet: 2-1/2"
Back of basin to center of drain: 7-1/2"
Mount holes cc: 7-1/2"
Faucet hole diameter: 1-3/8"

Features:

- ▶ Wall hung basin
- ▶ Made of Vitreous China
- ▶ Pre-drilled with 1-3/8" single faucet hole
- ▶ No overflow
- ▶ Mounting hardware included
- ▶ Drain not provided

Colors WH White

Meets or exceeds the following specifications: ASME A112.19.2 2013 and CSA B45.1-13 for ceramic plumbing fixtures.



Dimensions of fixture are nominal and may vary within the range of tolerances established by ASME Standard A112.19.2.2013 Dimensions and specifications subject to change without notice.